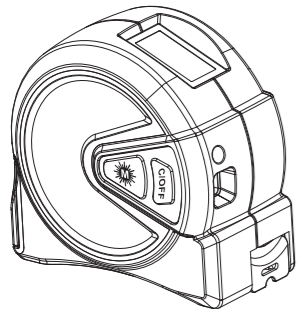


WORKPRO



15m
LASER

5m
TAPE

W061036

2 IN 1 LASER & TAPE MEASURE

This is original instruction manual.
Warranty is limited to manufacturing errors only.

Distributed by :
Hangzhou Great Star Industrial Co., Ltd.
No.35 Jiujuan Road, Jiubao Town,
Hangzhou 310019, China
www.greatstartools.com

TABLE OF CONTENTS

COMPONENT	SPECIFICATIONS
Laser	$\lambda=620-690\text{nm}$, Class II laser, maximum laser output<1mW
Measuring range (laser)	0.25-15 M*
Measuring accuracy (laser)	$\pm 6\text{ mm}^*$
Smallest unit displayed	1 mm
Automatic switch off	180 seconds
Laser turn off	30 seconds
Estimated battery life	>3000 single measurements
Optimum operating temperature	32°F to 104°F (0°C to 40°C)
Storage temperature	-10°C to 60°C
Batteries	2 x 1.5V alkaline AAA
Tape length	5 m
Blade width	19 mm

*Important: Under unfavorable conditions, such as in bright sunlight or when measuring poorly reflecting or very rough surfaces, the tool's measuring range and accuracy will be reduced.

SAFETY INSTRUCTIONS

Working safely with the laser tape measurer is possible only when the operating and safety information are read completely and instructions contained therein are strictly followed. Never make warning labels on the measuring tool unrecognizable. **SAVE THESE INSTRUCTIONS.**

Caution – The use of other operating or adjusting equipment or the application of other processing methods not mentioned herein, can lead to dangerous radiation exposure.

WARNING

LASER RADIATION. Do not stare into beam. Class II laser product. Turn the laser beam on only when using this tool.

- Do not remove or deface any product labels.
- Avoid direct eye exposure. The laser beam can cause flash blindness.
- Do not operate the tool around children or allow children to operate the tool.
- Do not place the tool in a position that may cause anyone to stare at the laser beam, whether intentionally or unintentionally.
- Do not use on bright, shiny reflective surfaces such as sheet steel or similar reflective surfaces. The shiny surface could reflect the beam back toward the operator.
- Always turn the laser tool off when not in use. Leaving the tool on increases the risk of someone inadvertently staring into the laser beam

2

- Do not attempt to modify the performance of this laser device in any way. This may result in a dangerous exposure to laser radiation.
- Do not attempt to repair or disassemble the laser-measuring tool. If unqualified persons attempt to repair this product, serious injury may occur. Any repair required on this laser product should be performed only by qualified service personnel.
- Use of other accessories that have been designed for use with other laser tools could result in serious injury.
- Do not operate the tool outdoors.
- Do not place or store tool under extreme temperature conditions.
- Do not operate the tool in explosive environments, such as in the presence of flammable liquids, gases or dusts. Sparks can be created in the tool which may ignite the dust or fumes.
- Keep the tool away from cardiac pacemakers. The magnet inside the tool generates a field that can impair the function of cardiac pacemakers.
- Keep the tool away from magnetic data medium and magnetically-sensitive equipment. The effect of the magnetic can lead to irreversible data loss.

UNPACKING

When unpacking the box, do not discard any packing materials until all of the contents are accounted for:

- Laser tape measure
- 2 x AAA alkaline batteries
- Operator's manual

Carefully lift the laser tape measurer out of the box and place it on a stable, flat surface.

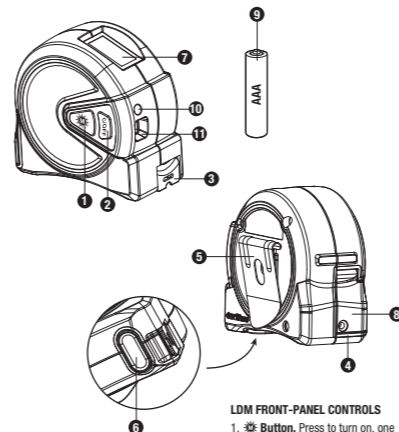
DESCRIPTION

KNOW YOUR LASER TAPE MEASURER

The laser tape measure is an accurate measuring tool for fast, easy operation:

- Measures distances from 0.25-15 m with an accuracy of $\pm 6\text{ mm}$. (Measure distance < 0.25 m, please use the tape measure).
- One button design, easy to use.
- AAA alkaline batteries.

3

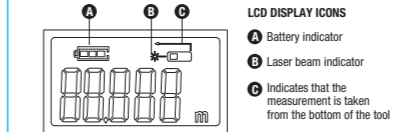


LDM FRONT-PANEL CONTROLS

1. **Button.** Press to turn on, one more press to measure. Press and hold 3 seconds to change single measuring model to continuous measuring model.
2. **C/OFF Button.** Short press to cancel the operation or clear the data.; long press for 3 seconds to turn off the tool.

PARTS	DESCRIPTION
1	
2	C/OFF
3	Tape measure blade tip
4	Reference point
5	Belt clip
6	Blade lock button
7	LCD display
8	Battery lid
9	AAA alkaline batteries
10	Laser beam outlet
11	Reception lens

4



LCD DISPLAY ICONS

- A Battery indicator
- B Laser beam indicator
- C Indicates that the measurement is taken from the bottom of the tool

ASSEMBLY

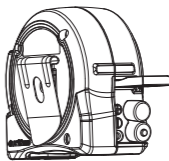
INSERTING/REPLACING THE BATTERY

AAA alkaline batteries are recommended for the measuring tool.

To open the battery lid. Insert the batteries provided. Pay attention to the correct polarity of the batteries according to the representation in the battery compartment.

Always replace all batteries at the same time. Only use batteries from one brand and with the identical capacity.

NOTE: Remove the batteries from the measuring tool when not using it for extended periods. When storing for extended periods, the batteries can corrode and discharge themselves.



OPERATION INSTRUCTION

TO TURN THE LASER TAPE MEASUREER ON, MEASURE AND TURN OFF

- Press button to turn on the tool and the laser beam will be shot out and ready for measuring.
 - Press again to measure, and the measuring result will be displayed while laser beam off.
- After long pressing for 3 seconds, the measure mode will be changed to continuous measure mode.
- Press (C/OFF) to clean the measuring data.
- After long pressing (C/OFF) for 3 seconds, the laser tape will be turned off.
- NOTE:** When the laser tape measure is inactive for 180 seconds, it will be turned off automatically for saving battery power.

5

CARE AND MAINTENANCE

This laser tape measurer has been designed to be a low-maintenance tool. However, in order to maintain its performance, you must always follow these simple directions:

- Avoid exposing the tool to shock, continuous vibration or extreme hot or cold temperature
- Always store the tool indoors.
- Always keep the tool free of dust and liquids. Use only a clean soft cloth for cleaning. If necessary, slightly moisten the cloths with pure alcohol or a little water.
- Do not disassemble the laser tape measure, this will expose the user to hazardous radiation exposure.
- Do not attempt to change any part of the laser lens.

OPERATING INSTRUCTIONS

ERROR SIGNALS

The following error signals may appear on the LCD display:

ERROR #	EXPLANATIONS	ACTION
	Beam is moved too fast	Move slowly
	The object is out of range	Change target
----	Received signal too weak / Measurement time too long	Change target surface (e.g. white paper)
----	Received signal too strong (target too reflective)	Change target surface (e.g. white paper)
	Ambient light is too strong	Shadow target area
301	The temperature is too high or too low	Let the tool to restore to operating temperature range
401	Hardware malfunction	Contact customer service

WARRANTY INFORMATION

The manufacturer warrants this laser tape measure against defects in materials and workmanship for two (2) years from the date of purchase. If within this period the product is found to be defective in material or workmanship, the manufacturer will, at its option, repair, replace or refund the original purchase price to the customer. Please keep the original sales receipt as proof of purchase for warranty service.

This warranty does not cover defects due to misuse or accidental damage and specifically excludes liability for direct, incidental or consequential damages, and/or any parts have been altered or modified by anyone other than authorized service.

6